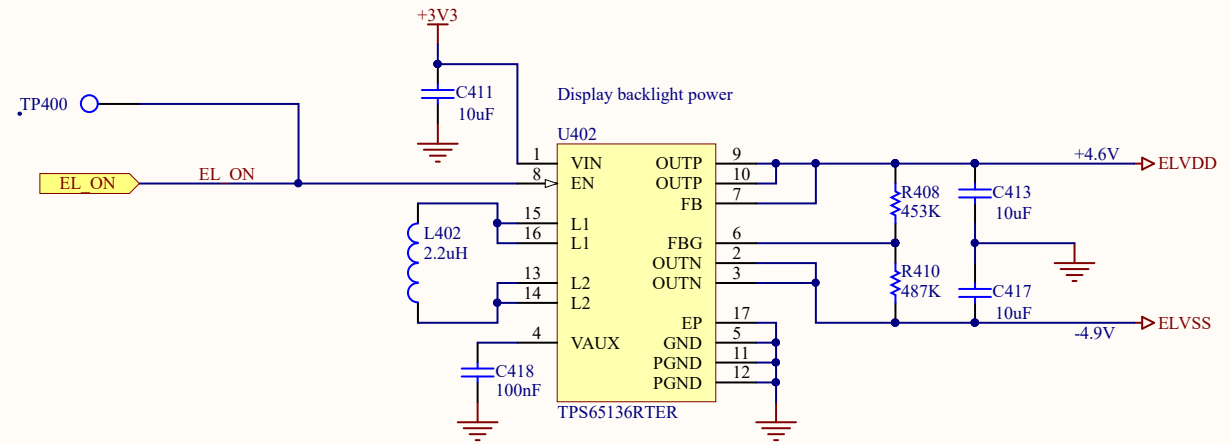
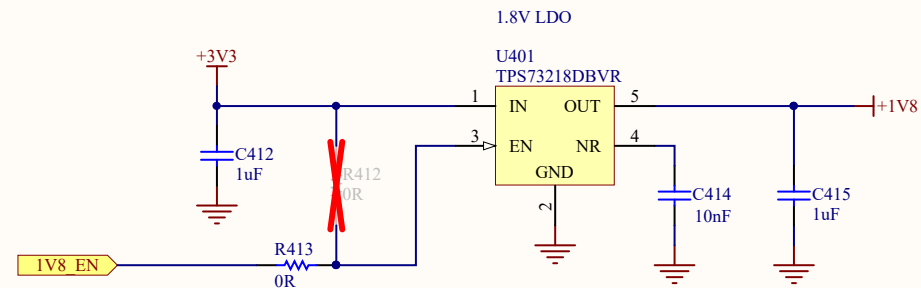
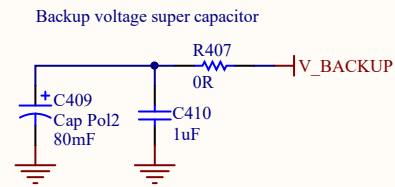
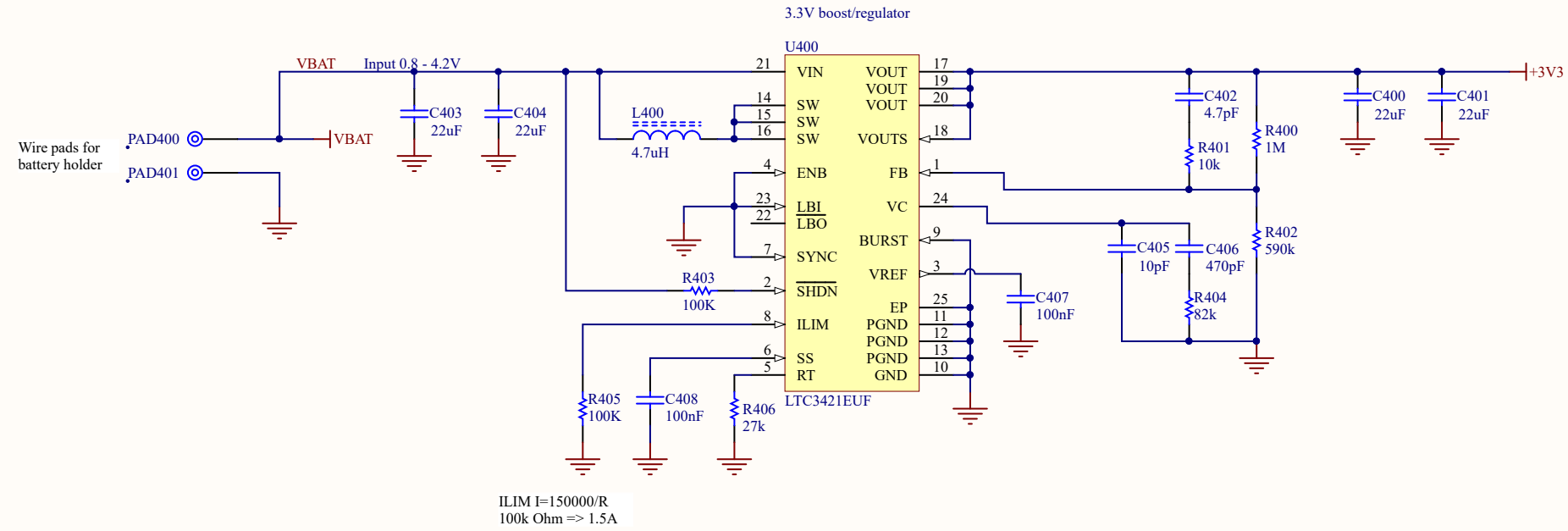


Power



| | | |
|-------|-----------------------------|--------------|
| Title | | |
| Size | Number | Revision |
| A3 | | |
| Date: | 6.7.2017 | Sheet 4 of 5 |
| File: | G:\Dropbox\...\Power.SchDoc | Drawn By: * |